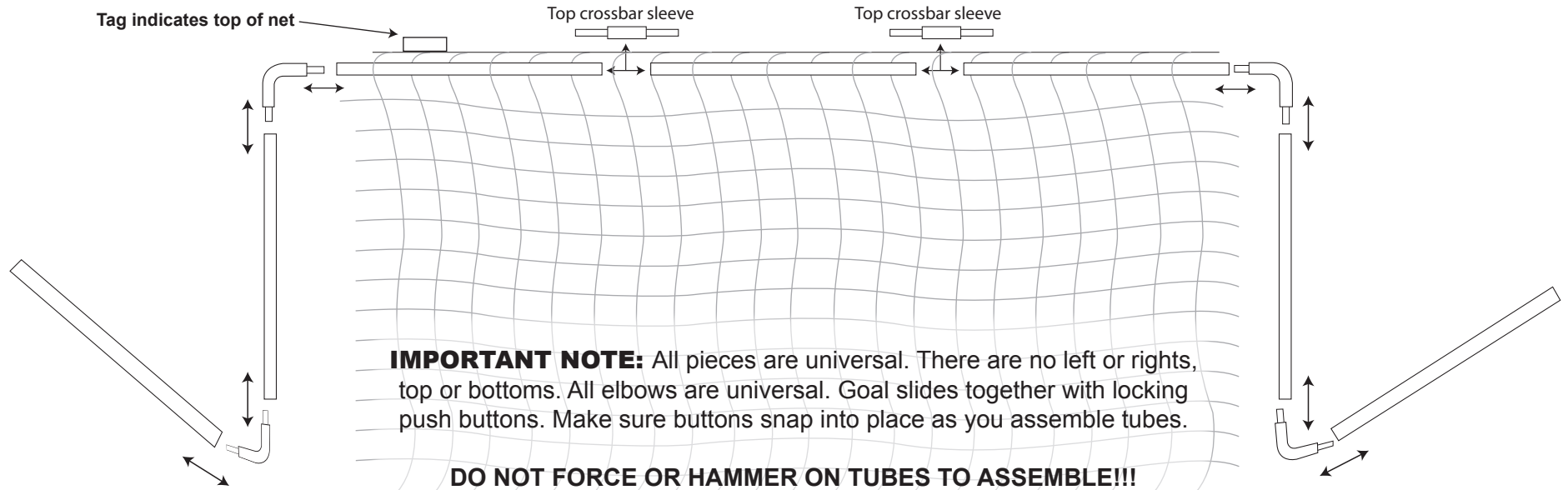


Assembly Instructions for Square Tubing portable goal



Instructions:

1. Lay out pieces as shown above. **NOTE:** all pieces are universal. There are no left or rights, top or bottoms.
2. Slide (3) Long bars together using Top Crossbar sleeves to create 24 ft top cross bar. Make sure buttons properly snap in. **Do not assemble further and move to Step 3 and attach net.**
3. Weave net through top cross bar, alternating every 3 to 4 squares of the top of the net. **NOTE:** Top side of net has tag on it.
4. With net woven through top crossbar, attach, (1) elbow per side, (1) long tube per side for uprights, then (1) elbow per side and (1) long tube per side as ground support.
5. Once all pieces are assembled, raise goal as shown in photo at right. Immediately stake down ground support tubes with 2-3 stakes per side, while sliding stakes through net to hold it in place
6. Attach net sides to uprights using velcro fasteners attached to net. (Additional fasteners should be in goal bag if needed)

